

# Technical data sheet

## Product features



### Cooking range solid top 4 zones

<b>Model</b>	<b>SAP Code</b>	00013595
--------------	-----------------	----------



- Device type: Electric unit
- Power consumption of the zone 1 [kW]: 2,5
- Power consumption of the zone 2 [kW]: 2,5
- Power consumption of the zone 3 [kW]: 2,5
- Power consumption of the zone 4 [kW]: 2,5

<b>SAP Code</b>	00013595	<b>Number of zones</b>	4
<b>Net Width [mm]</b>	800	<b>Power consumption of the zone 1 [kW]</b>	2,5
<b>Net Depth [mm]</b>	600	<b>Power consumption of the zone 2 [kW]</b>	2,5
<b>Net Height [mm]</b>	240	<b>Power consumption of the zone 3 [kW]</b>	2,5
<b>Net Weight [kg]</b>	71.00	<b>Power consumption of the zone 4 [kW]</b>	2,5
<b>Power electric [kW]</b>	10.000	<b>Solid top dimensions [mm x mm]</b>	700 x 500
<b>Loading</b>	400 V / 3N - 50 Hz		

# Technical data sheet

Technical drawing

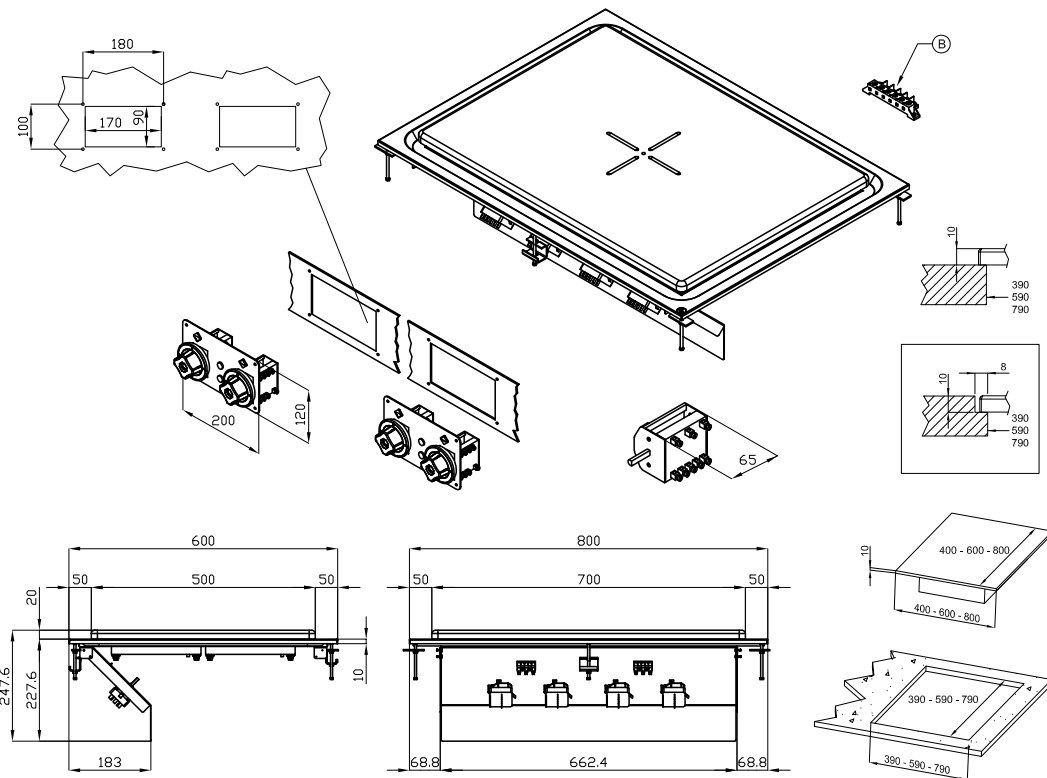


## Cooking range solid top 4 zones

Model

SAP Code

00013595



A	Data plate		B	Electrical connection	
---	------------	--	---	-----------------------	--

# Technical data sheet

Technical parameters



## Cooking range solid top 4 zones

**Model**

**SAP Code**

00013595

**1. SAP Code:**

00013595

**2. Net Width [mm]:**

800

**3. Net Depth [mm]:**

600

**4. Net Height [mm]:**

240

**5. Net Weight [kg]:**

71.00

**6. Gross Width [mm]:**

1080

**7. Gross depth [mm]:**

630

**8. Gross Height [mm]:**

470

**9. Gross Weight [kg]:**

80.00

**10. Device type:**

Electric unit

**11. Construction type of device:**

Drop-in

**12. Power electric [kW]:**

10.000

**13. Loading:**

400 V / 3N - 50 Hz

**14. Worktop Thickness [mm]:**

20.00

**15. Number of zones:**

4

**16. Power consumption of the zone 1 [kW]:**

2,5

**17. Power consumption of the zone 2 [kW]:**

2,5

**18. Power consumption of the zone 3 [kW]:**

2,5

**19. Power consumption of the zone 4 [kW]:**

2,5

**20. Maximum device temperature [Å°C]:**

450

**21. Safety element:**

thermostatic protection against overheating

**22. Safety thermostat:**

Yes

**23. Number of burners/hot plates:**

4

**24. Type of gas cooking zones:**

Thales

**25. Type of electric cooking zones:**

Squared

**26. Solid top thickness [mm]:**

20

**27. Solid top dimensions [mm x mm]:**

700 x 500

**28. Solid top material:**

chrome-molybdenum